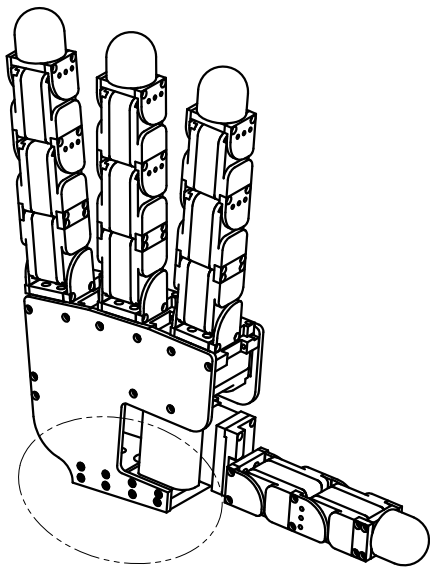
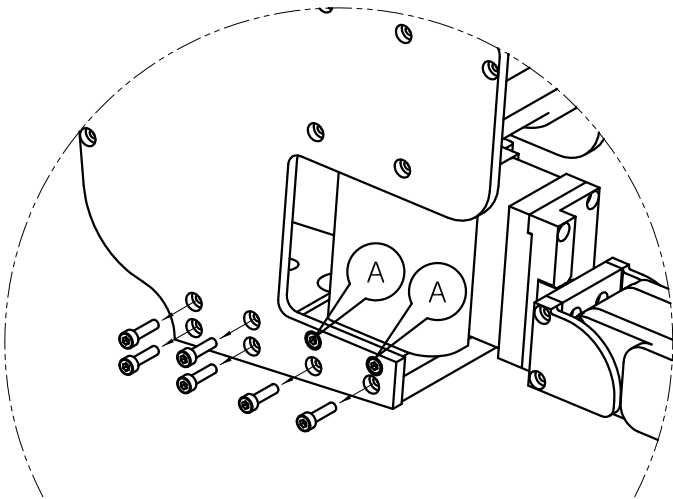


How to mount the Allegro Hand



Pic. 1

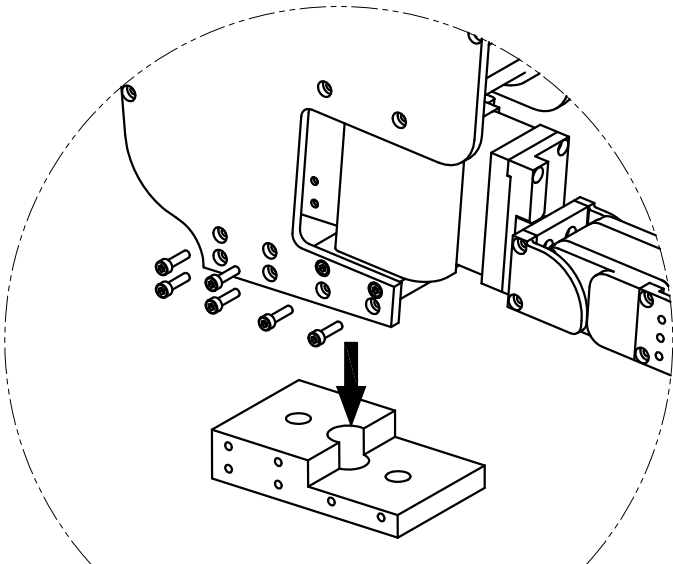
Remove the screws in the marked area.



Pic. 2

Remove 6 screws on each side of the Allegro Hand.
Keep the screws for reuse.

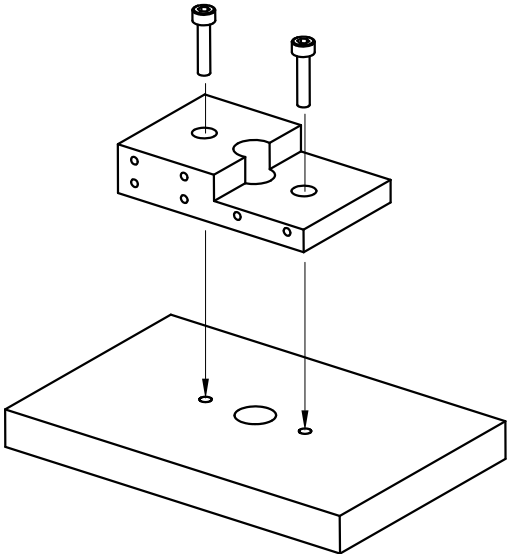
** Do not remove the 2 screws marked "A"
on either side.



Pic. 3

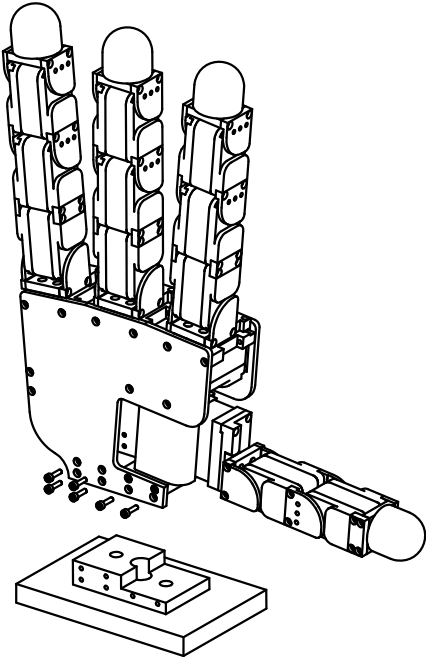
Remove mounting block

How to mount the Allegro Hand



Mount the block onto the plate using 2 mount holes.

Pic. 4



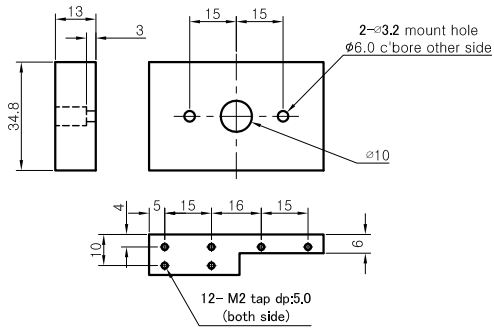
Re-assemble the Allegro Hand on mounting block.

Pic. 5

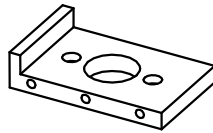
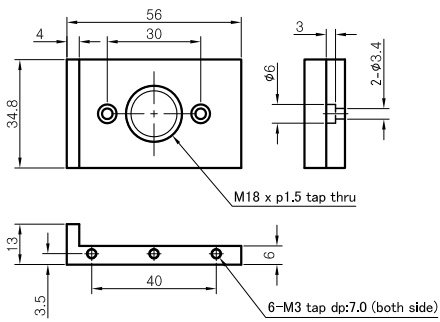
How to mount the Allegro Hand

** Mounting block dimensions for reference.

Version 1.0



Version 2.0



Version 3.0

