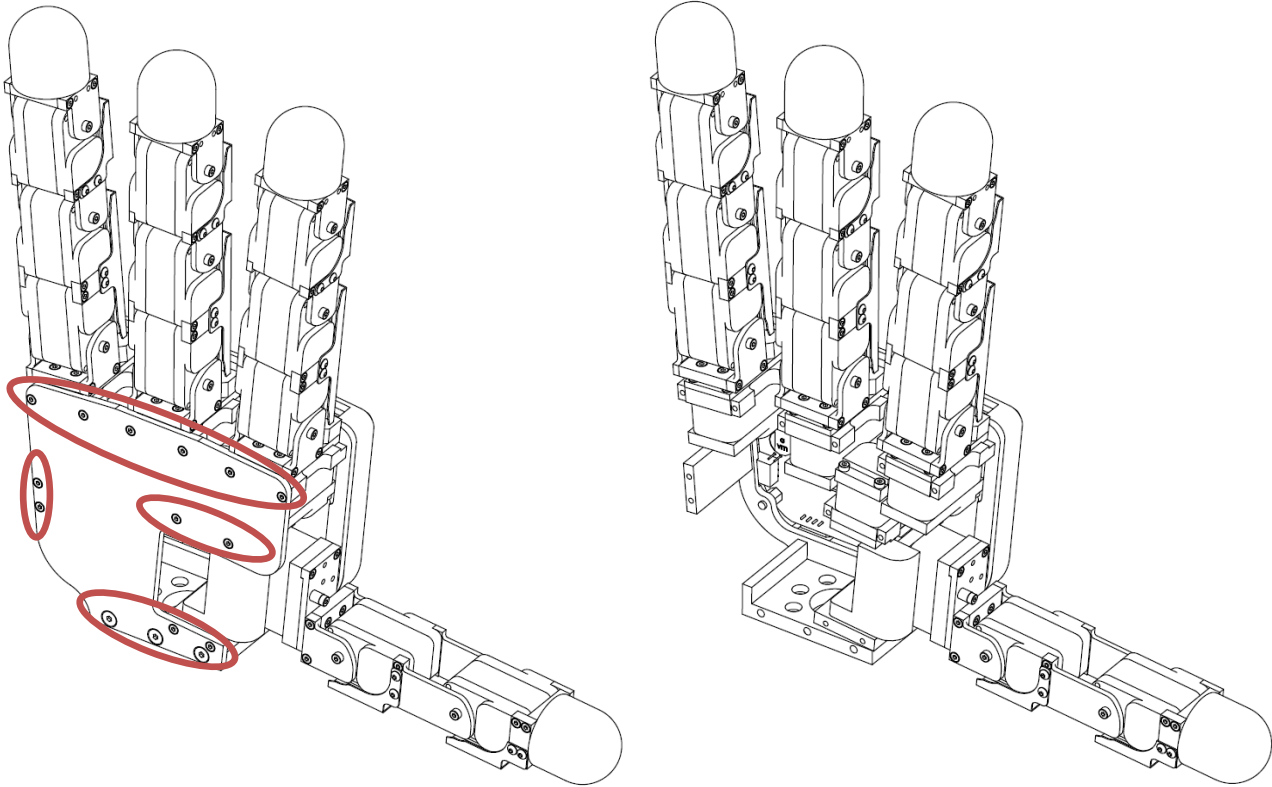
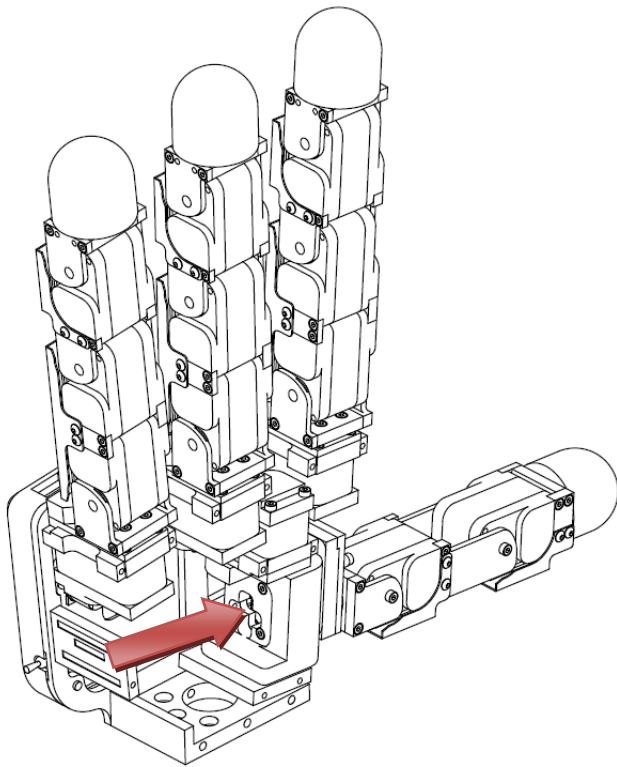


how to check the wire and connection of joint 42

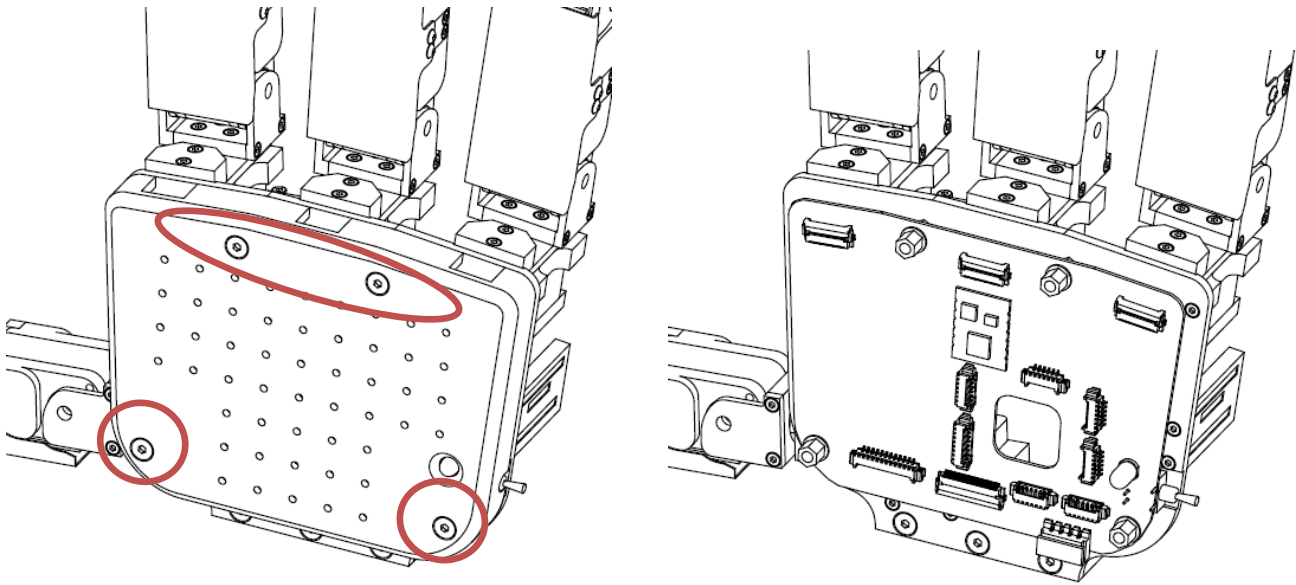
1. Remove all screws on palm side. And remove palm plate.



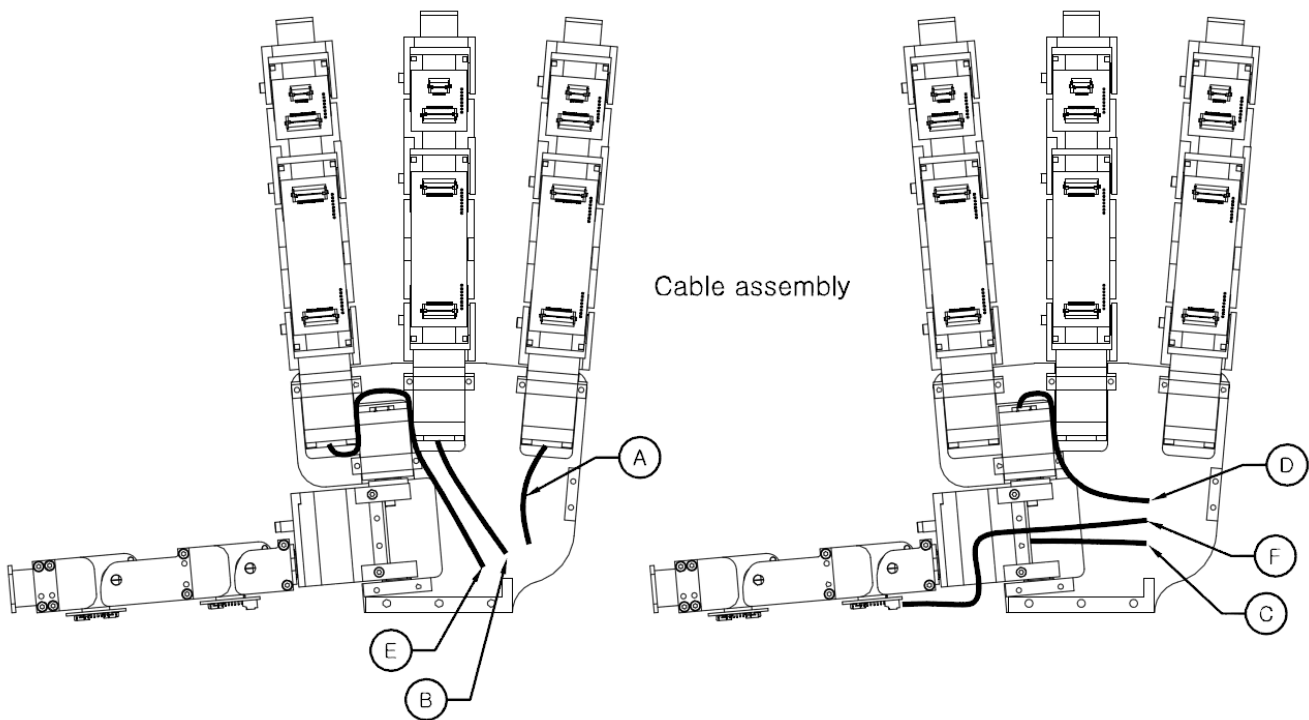
2. You can reach the connector of joint 42. Please check and reconnect it.



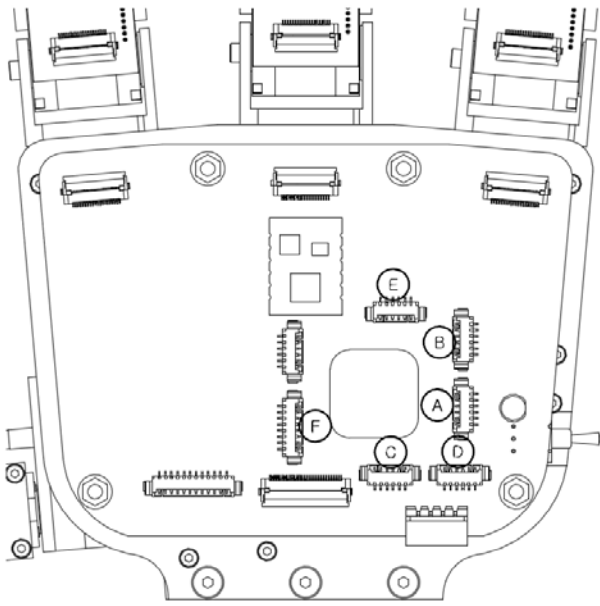
3. Remove top cover.



4. wire cable reference #1/2



5. wire cable reference #2/2



In this picture, connector C and D can be swapped

6. Check the connection of connector C and D.