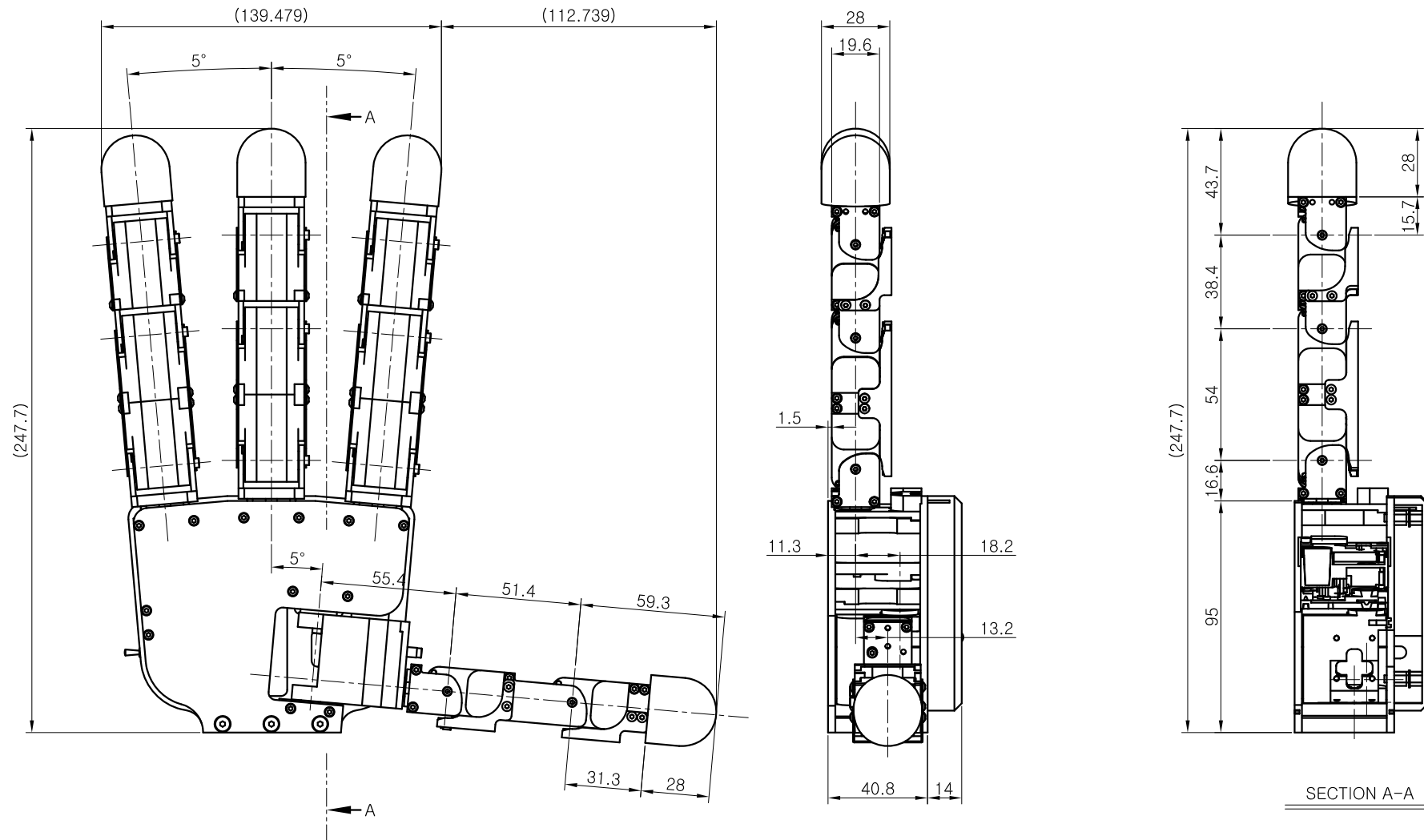
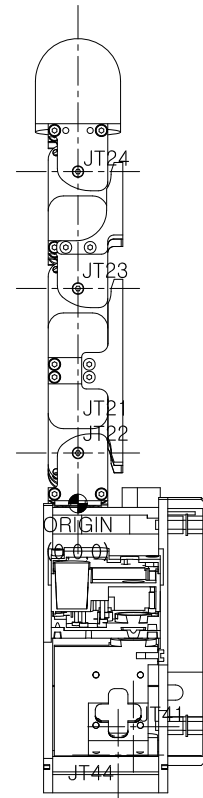
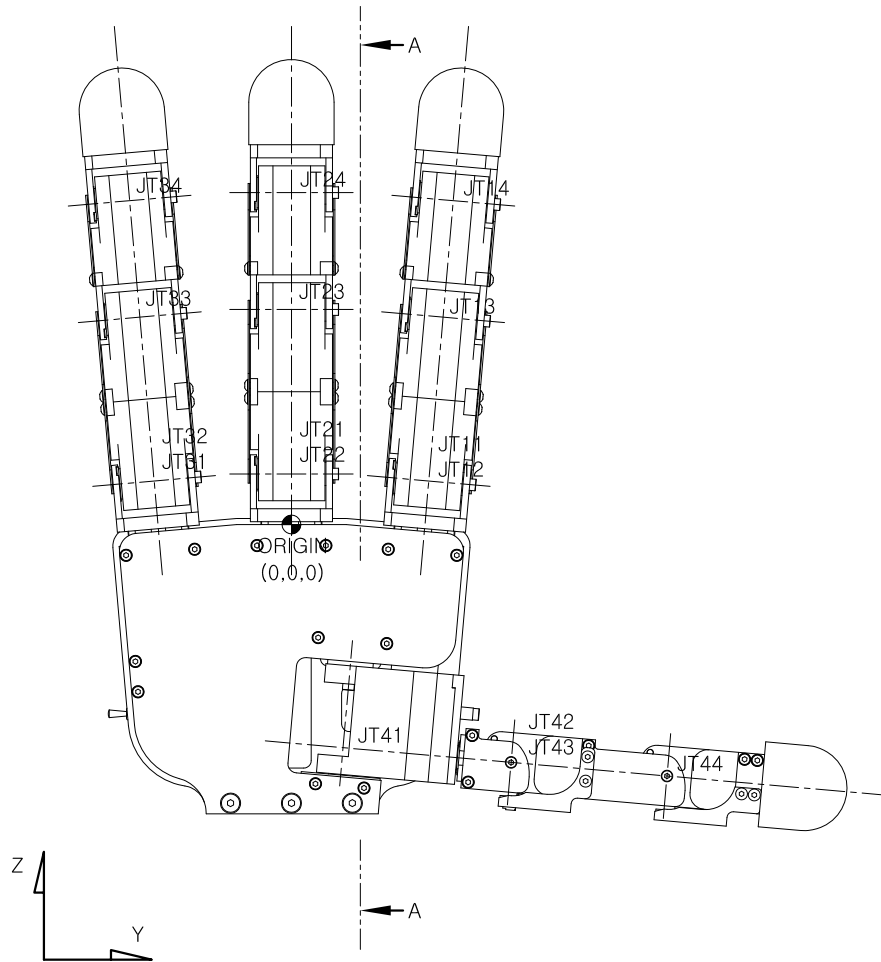


Allegro Hand Dimensions

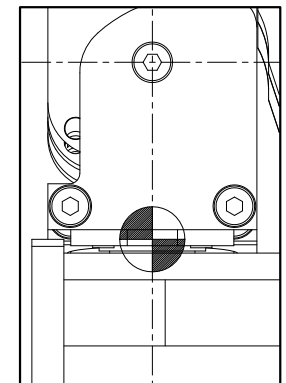
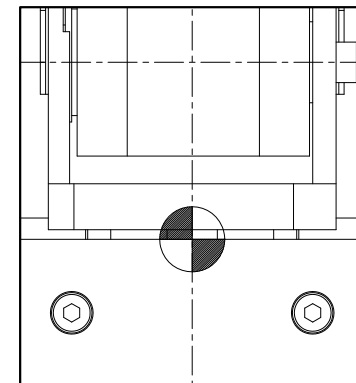


Allegro Hand Joint coordinates



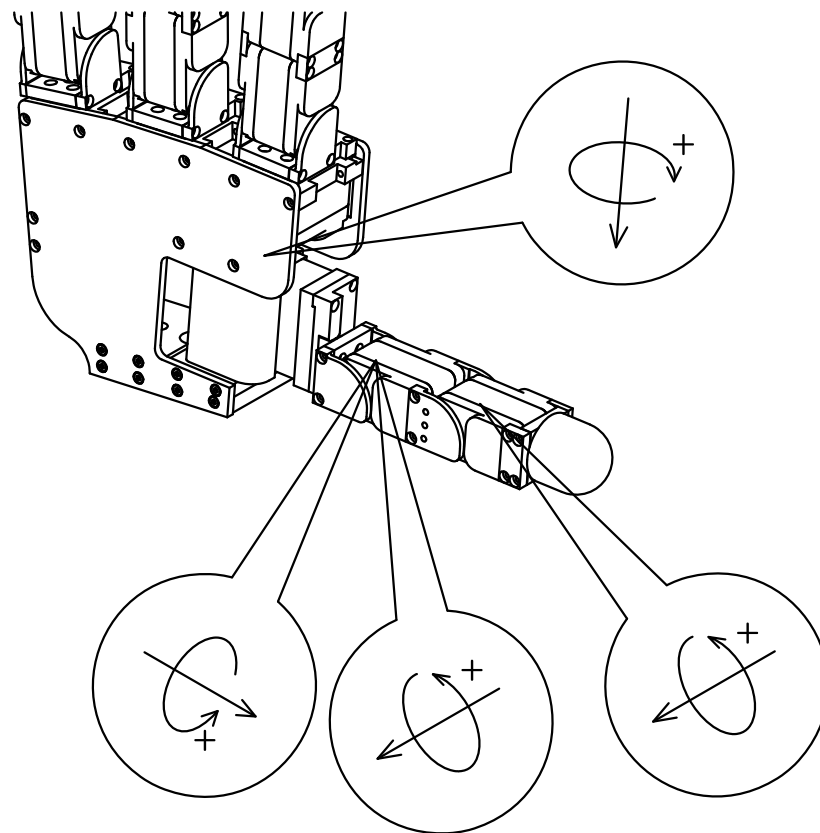
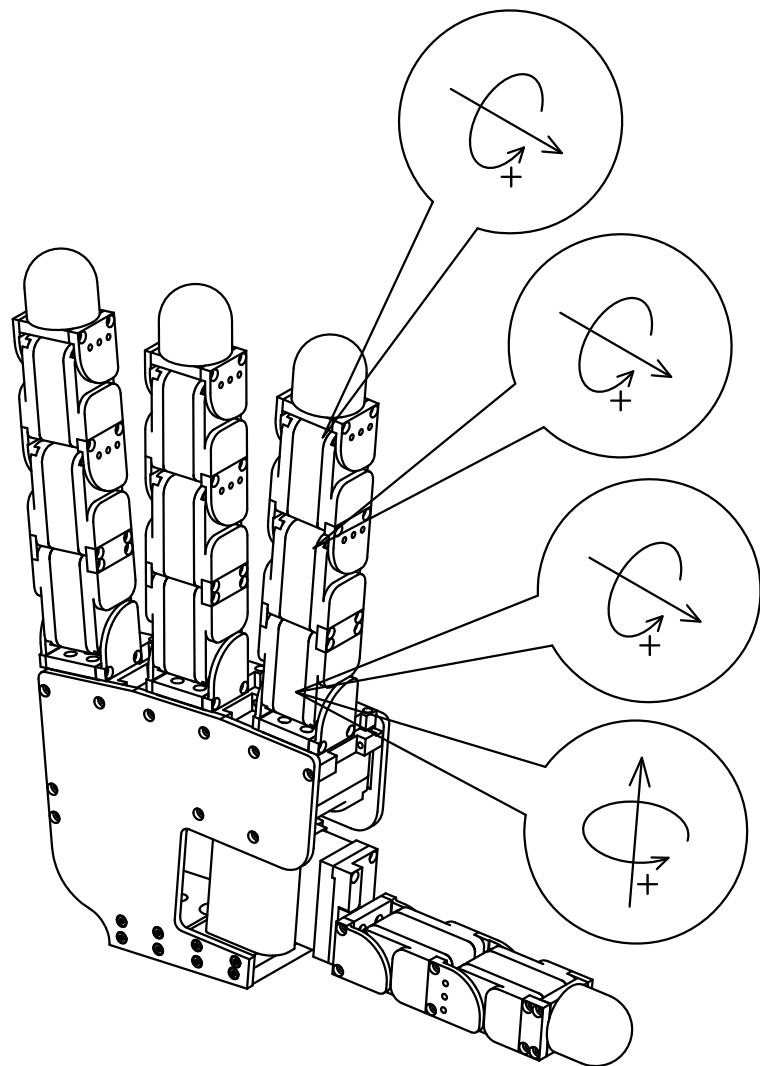
SECTION A-A

Joint	X / Y / Z
JT11	0 / 45.098 / 14.293
JT12	0 / 45.098 / 14.293
JT13	0 / 49.804 / 68.087
JT14	0 / 53.151 / 106.341
JT21	0 / 0 / 16.6
JT22	0 / 0 / 16.6
JT23	0 / 0 / 70.6
JT24	0 / 0 / 109
JT31	0 / -45.098 / 14.293
JT32	0 / -45.098 / 14.293
JT33	0 / -49.804 / 68.087
JT34	0 / -53.151 / 106.341
JT41	-18.2 / 16.958 / -73.288
JT42	-13.2 / 72.147 / -78.116
JT43	-13.2 / 72.147 / -78.116
JT44	-13.2 / 123.351 / -82.596



Origin Detail

Allegro Hand Axis direction (Right hand)



Allegro Hand Axis direction (Left hand)

